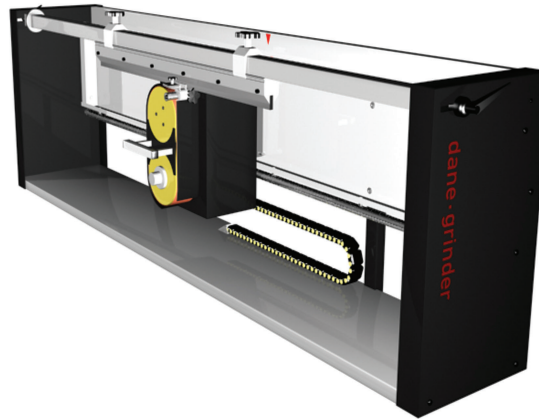


DG-A-CPU

Dane automatic squeegee grinder incorporates a PLC- controlled grinding/ polishing head which gives a perfect sharpened and sealed squeegee edge for long-lasting high-definition printing. The unique belt grinding/polishing system prevents grinding particles from clogging and gives excellent cooling properties due to the small contact area and the large solid heat dissipating belt wheels

DG-M

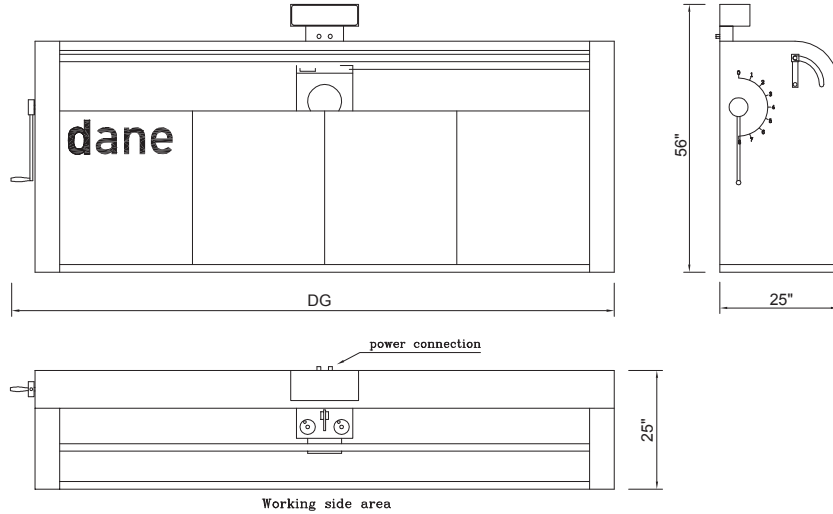


Dane manual squeegee grinder DG-M, with the same unique grinding head as DG-A-CPU, but with manual setting and movement of the grinding head. Cambering not available

Features:

- **Automatic programmable travel length and speed of grinding head.** (DG-A only)
- **Programmable automatic step-up function of grinding head in 0.004" increments.**(DG-A only)
- **Double sided 90 ball bearing support of squeegee blade**
- **Programmable grinding speed** (DG-A only)
- **Programmable number of grinding/ polishing cycles** (DG-A only)
- **Side ways adjustable head position for full width usage of grinding belt**
- **Cambering adjustable up to 1/3", specially useful for long squeegees.**(DG-A only)
- **Control panel with illuminated digital read out of set parameters** (DG-A only)
- **Quit operation**

SPECIFICATIONS

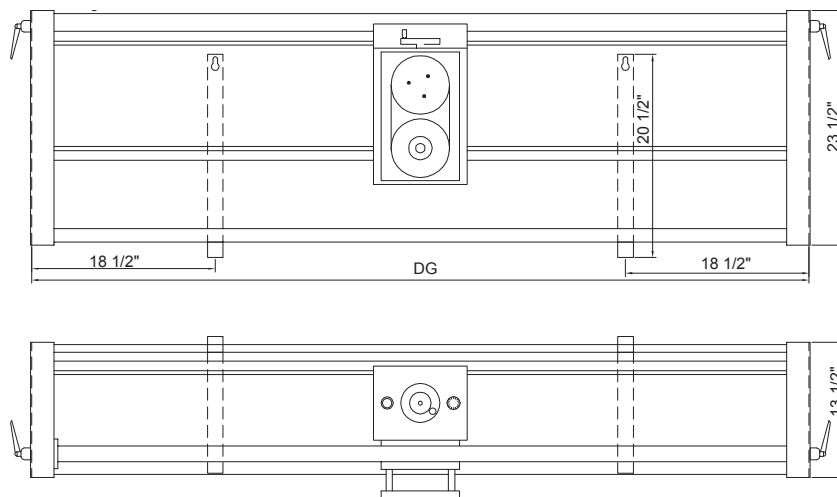


Size:

- DG 57" = 85"
- DG 70" = 99"
- DG 98" = 126"
- DG 126" = 154"
- DG 153" = 181"

208/230 Volt , 3-Phase, 60 cycle, 2.5 Amp

SPECIFICATIONS



Size:

- DG 53" = 65"
- DG 67" = 78"
- DG 81" = 92"
- DG 94" = 106"
- DG 108" = 120"

208/230 Volt , 3-Phase, 60 cycle, 2 Amp